

Surveyor: _____
 Company: _____
 Customer Ref: _____
 Manufacture Ref: _____

Note: ***VIEWED FROM OUTSIDE***
 EXTERNAL EDGE FRAME TO EDGE
 FRAME SIZES ONLY, INCLUDING CILLS

Max height: 3000mm
 Max Door leaf width: 1000mm
 Max weight each leaf: Bi-Fold Top Hung:
 100kg.
 Max opening: 16m (8 leaves each side)

****VIEWED FROM OUTSIDE****

Key:
 P = Panel
 G = Glass
 < or > =openers, points towards hinge
 M=Master (traffic door)

**** VIEWED FROM OUTSIDE****

Please note: If you have any specific opening requirements, please consult us upon order to ensure requirements can be met, otherwise doors will be made as requested and you may be left with minimum opening options you were unaware of, if we are not asked. E.g. No external access or the need to open 2+ panels at once to open and close a 2-panel door.

Timber types

Frames & Cill:

1. SW: Pine (Redwood, any finish)
2. HW: Sapele/Meranti (Smooth finish only)
3. HW: Oak (Stain, Natural finish only)
4. SW: Pine (Redwood) Frame + HW Cills (Sapele/Oak)

Colour and finish inside and outside:

1. Fully Finished Satin White - Natural / Smooth / Grainy
2. Satin RAL, N°: _____ - Natural / Smooth / Grainy
3. Satin Stained, N°: _____ - Natural only

Please insert vertical lines indicating qty of door leaves/panels as required with arrows showing opening direction and circle all options required, if unsure please call us to clarify to avoid any confusion.

Bi-Fold Door Location: _____

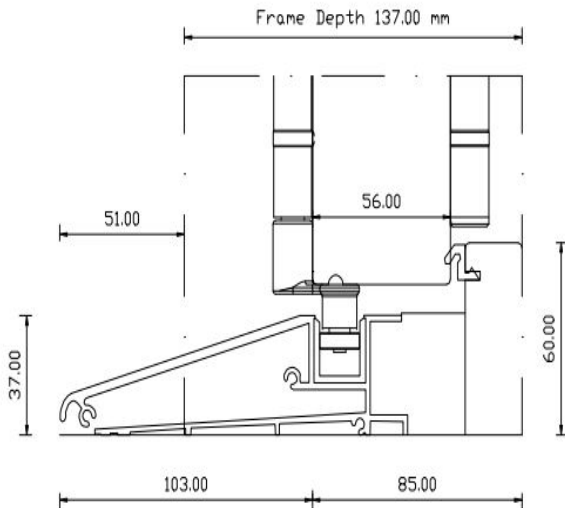
Width: _____ mm, Height: _____ mm Qty _____.



OUTSIDE VIEW

Opening Configuration from outside view: _____ Left and _____ Right.

Aluminium CILL DETAIL:



We always recommend aluminium cill instead of timber cill with aluminium track, as it's more durable, resistant to wear and tear damage and keeps its original look for years after installation.

GLASS by ATW? Y / N

- Externally Glazed (as Std), or
- Internal Glazing.

Safety glass? Y / N

Clear? / Obscure?

Other: _____

Glazing System: (Butyl/Silicone to match frame)

1. Black Warm Edge Spacer bar.
2. White Warm Edge Spacer bar

Georgian Bars: Yes or No

(select type and Draw where required onto each item as dotted line e.g. - - - - -)

1. **22mm Astragal** (on top of glass)
Recommended is option 1.
2. **45mm through glass** with separate glass units.

Master Door Handle Colour:

Polished Chrome, Satin Chrome, Polished Brass/Gold, White, Black, Silver,

Lock & handle Type:

Lever-Lever only.

Frame gaskets: Black / White / Brown

Brio Bi-Fold System details:

External - 100kg Pans

Internal - 75kg Pans.

Colour of hinges, handles, wheels:

Polished Stainless / Satin Stainless / Brass / Black.

Top Drop Bolts: 190 / 450 / 600mm.

1. **Top Hung** - if weight on top rails is ok.
or
2. **Bottom Hung** - if weight on bottom rails.

Door panels stack outside.

T-vents – not an option due to tracks in the head and flapping collisions when door is opened.

Extras needed: (detailed by customer):

OG Architrave 70mm, qty x mm
 qty x mm

Other trim/architrave, draw styles & dimensions here:
 Qty _____ x _____ mm. _____ mm x _____ mm.